

STROM • SICHER • SCHALTEN

DRIESCHER
Low-oil Switch disconnecter
FLa 15/60 GB N

- Rated voltage 38.5 kV
- Rated current 630 A

DRIESCHER
Moosburg • Eisleben



General

Outdoor design, switch disconnectors of FLa 15/60 GB N series were developed by DRIESCHER as a design version of the FLa 15/60 switch disconnectors which have been distinguished for many years on the world market by their high reliability and operational safety. One of the advantages of this switch disconnector series is the possibility of working under voltage, easy and quick mounting of overvoltage limiters on the switching device, which allows simplification of the vertical mounting the disconnector on the pole, as well as a better handling of the device due to its lower weight.

The switch disconnectors comply with the requirements of the following standards: EN 62271-1 and EN 62271-103. The silicon insulators used meet the fourth grade of contamination area (pollution zone).

The switching takes place in a proven and tightly sealed arc quenching chamber filled with Shell transformer oil. Each arc quenching chamber contains about 0.5 l of oil.

There is no release of arc decomposition products therefore, the FLa GB N switch disconnectors meet the strictest environmental requirements. All current carrying components are made of silver plated electrolytical copper and form a loop-free current conduction path.

The cross-section of the conductors that make up the current path, is sufficiently dimensioned. Appropriate contact pressures of the stainless steel springs are one of the prerequisites for fault-free switching conditions even after many years of switch disconnector's operation under extreme operating conditions and also under exposure to hoarfrost.

The switch disconnectors are supplied with insulators made of a cycloaliphatic resin or silicone. The construction of the switch disconnector FLa 15/60 GB N is designed to allow overvoltage limiters. The switch disconnectors can be controlled either by manually operated drive mechanisms or remote controlled motor drives in outdoor version.

The switch disconnectors can also be provided with encapsulated auxiliary switches (IP 44 protection degree), mounted directly on the frame. The auxiliary switches provide a reliable indication of the closed and opened switching positions.

The construction of the switch disconnectors, the quality level of material used and the care taken in the manufacturing process, which is carried out according to the principles of the ISO 9001:2000 standard, are a guarantee of low operation and maintenance costs in the future.

Design / Types

Design	Description
FLa 15/60 GB N	<i>Switch disconnector for mounting on a concrete pole below the power line, for horizontal assembly</i>

Design	Rated-voltage U_r	Pole height	Weight
FLa 15/60 GB N	38.5 kV	10.5 m 12 m	79 kg

Technical data

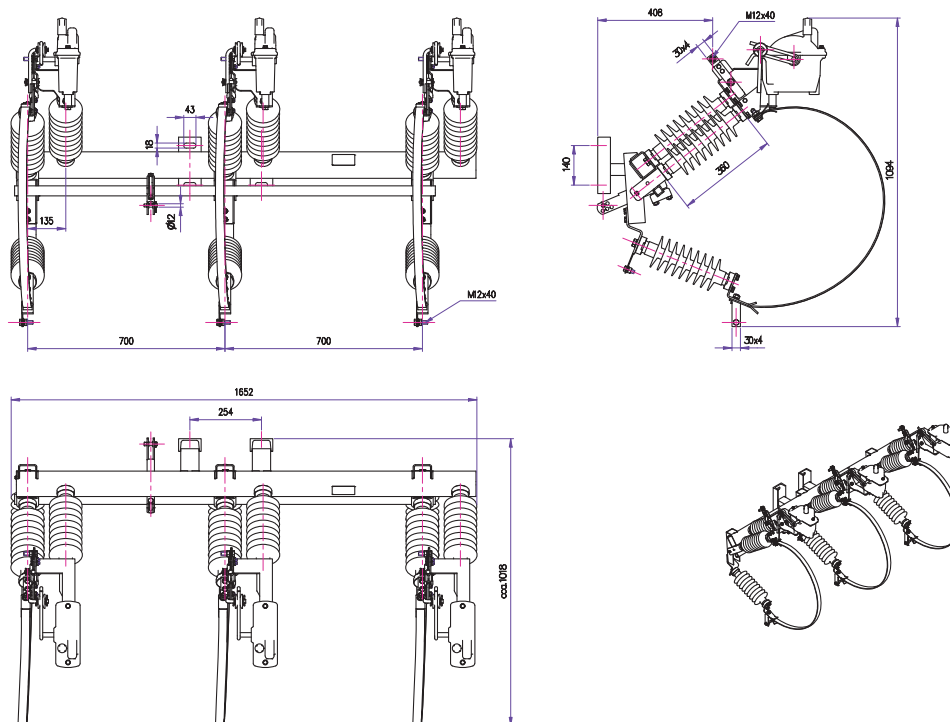
FLa 15/60 GB N	Switching capability	
• Rated voltage	U_r	12/24 kV 38.5 kV
• Rated current	I_r	630 A
• Rated frequency	f_r	50 Hz
• Rated short-time withstand current	I_k	25 kA/1s
• Rated peak withstand current	I_p	63 kA
• Rated short-circuit making current	I_{ma}	20 kA ¹⁾ 10 kA ¹⁾
• Rated mainly active load-breaking current	I_{load}	630 A
• Rated closed-loop breaking current	I_{loop}	630 A
• Rated breaking current of unloaded transformer	I_{nltr}	60 A
• Rated cable-charging breaking current	I_{cc}	20 A
• Rated line-charging breaking current	I_{Lc}	10 A
• Rated earth fault breaking current	I_{ef1}	50 A
• Rated power frequency withstand voltage Phase - Earth / Phase - Phase across the isolating distance	U_d	80 kV 90 kV
• Rated lightning impulse withstand voltage Phase - Earth / Phase - Phase across the isolating distance	U_p	180 kV 210 kV

Creepage distance of the insulator 960 mm

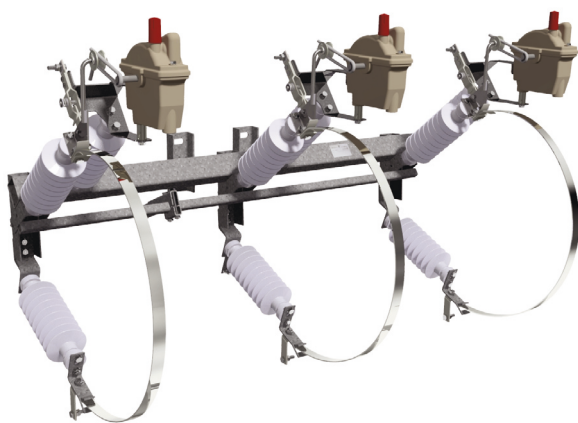
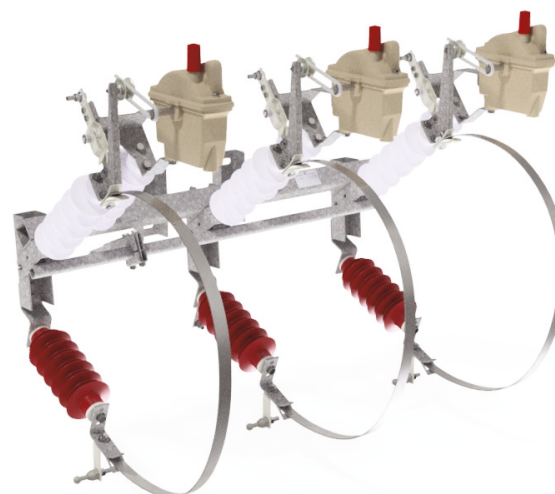
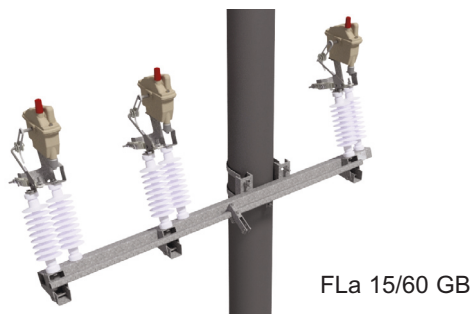
¹⁾ At a sufficiently quick hand control.

Drawing

38.5 kV



Application examples



STROM • SICHER • SCHALTEN

Dimensions, weights, diagrams and descriptions in this brochure are non-binding. Subject to change without notice.



**Elektrotechnische Werke
Fritz Driescher & Söhne GmbH**
Driescherstr. 3
D-85368 Moosburg
Phone: +49 8761 681-0
Fax: +49 8761 681-137
E-Mail: infoservice@driescher.de
www.driescher.de

DRIESCHER
Moosburg • Eisleben

