



STROM • SICHER • SCHALTEN

**DRIESCHER**  
Outdoor Universal motor drive  
*UMPlus*

**DRIESCHER**  
Moosburg • Eisleben



## General description

The UMPlus motor drive in outdoor version is housed in a lockable housing made of stainless steel enclosure, protection class IP 55.

The motor drives are modular and available with or without control system. Optional control devices are control contactors, motor protection switches, control and signalling contacts, as well as wiring on clamping strips.

For entering the control and record lines you will find metric screw connections M25 or M31,5.

The manual emergency operation works by means of a bevel gearing. Of course, the motor circuit is inevitably disconnected right before the crank is fixed to the square counter piece.

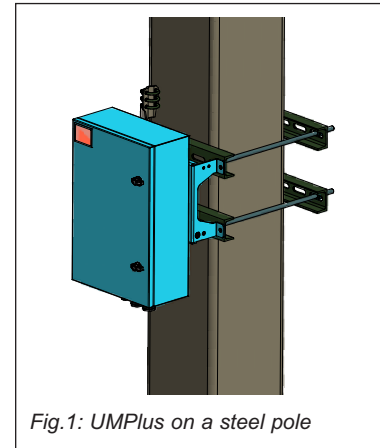


Fig.1: UMPlus on a steel pole

The fixing of the motor drive is effected by means of four threaded bolts on the back side of the housing. A prior selection according to the direction of rotation is no longer necessary, as the rotational sense is variable due to a change in the position of the driving crank on site.

Other components such as catenary switches and actuating rods are available on request. We are also gladly to offer you a customer-specific complete solution.

## Field of application

The types of the UMPlus are specially designed for the use outdoor . Possible applications include, for example the actuation of outdoor catenary switches and tunnels, portal applications or pole applications. The UMPlus motor actuator is suitable for actuating rod and flexball drives.

## Technical data

### Outdoor Motor drive UMPlus

• Rated supply voltage $U_a$	110/220 V/DC or 230 V/AC
• Rated power consumption	250 W
• Rated output torque $M_d$	350 Nm
• Average current input <sup>3)</sup>	1.3 A <sup>1)</sup> / 2.3 A <sup>2)</sup>
• Starting current, max.	8.9 A <sup>1)</sup> / 6.3 A <sup>2)</sup>
• Motor running time, approx.	3.5 s <sup>1)</sup> / 3.2 s <sup>2)</sup>
• Degree of protection	IP55
• Rotational drive angle / operating stroke / sense of rotation	0° / 152 mm - 261 mm / variable
• Surrounding temperature / max. daily average <sup>4)</sup>	-30° up to +55° / +35° C
• Cable entry	2 pcs. M32 x 1.5; 1 pcs. M25 x 1.5
• Drawing-no.	129141-001-02
• Weight with control system, approx.	41 kg
• Mechanical life-time	M2 - 10000 switching cycles
• Electromagnetic compatibility (EMC) test	according to EN 50121-5

<sup>1)</sup>for 110 V/DC    <sup>2)</sup>for 230 V/AC    <sup>3)</sup> in dependence to loading cases - motor capacity 150 Nm

<sup>4)</sup> Class according to EN 62271-1 - "Minus 25 Outdoor"



# Equipment

UMPlus - Equipment	without control system		with control system	
	Motor with overload clutch	110 V/DC	230 V/AC	110/220 V/DC
Auxiliary switch	1NO / 1NC		6NO / 6NC	
Control contact for plugged emergency hand crank	Yes		Yes	
Pilot switch motor-drive position ON/ OFF	Yes		Yes	
Accessories	Inclusive hand crank and head of clamping crank			
Clamping strip	Wago		Phoenix PTTB 2,5 mm	
Motor protecting switch with auxiliary contacts	-		Yes	
Heater with thermostat	-		Yes	
LED illumination	-		Yes	
Push button ON / OFF	-		Yes	
Change-over switch LOCAL / OFF / REMOTE	-		Yes	
Door contact (signal door open)	-		Yes	
Mechanical position indication ON / OFF	-		Yes	
Part-No.:	2-77699984	2-77699985	2-77699987	2-77699986
			2-77699988 <sup>5)</sup>	-
Wiring diagram	EM3J 011C A003 00B		EM3J 066A B011 19D / E	

<sup>5)</sup> for 220 V/DC

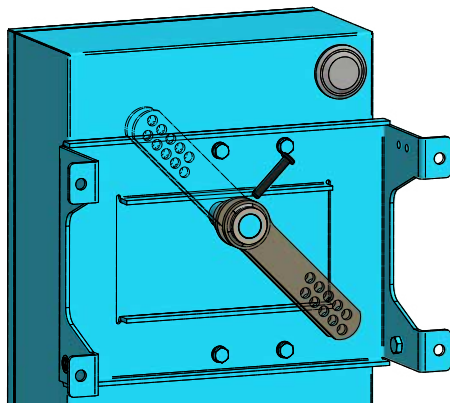


Fig.2: UMPlus - back side, Sense of rotation of the driving crank adjustable by a bolt

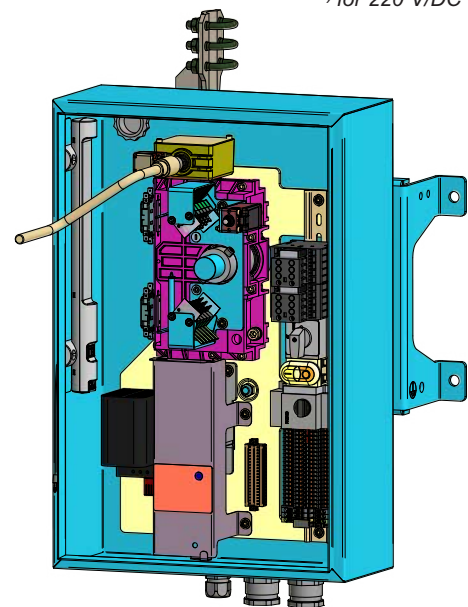
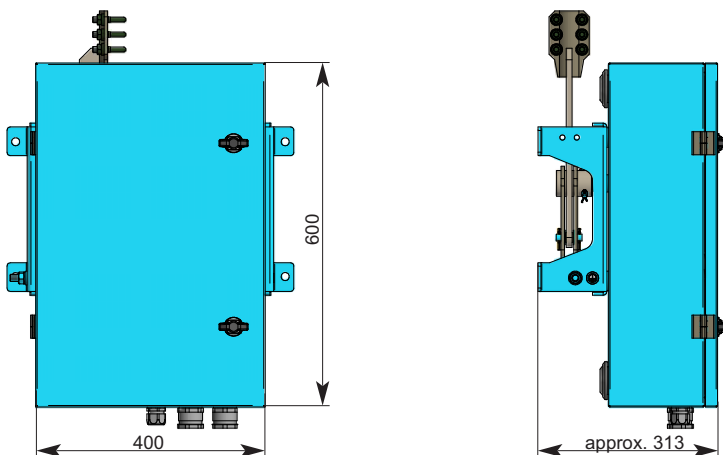


Fig.3: UMPlus door open, with control system and plugged emergency hand crank

## Front- und side view



# STROM • SICHER • SCHALTEN

Dimensions, weights, diagrams and descriptions in this brochure are non-binding. Subject to change without notice.

Printed on chlorine free bleached paper. For nature's sake.



**Elektrotechnische Werke  
Fritz Driescher & Söhne GmbH**  
Driescherstr. 3  
85368 Moosburg  
Germany  
Phone: +49 8761 681-0  
Fax: +49 8761 681-137  
E-Mail: [infoservice@driescher.de](mailto:infoservice@driescher.de)

**DRIESCHER GmbH Eisleben**  
Hallesche Str. 94  
06295 Lutherstadt Eisleben  
Germany  
Phone: +49 3475 7255-0  
Fax: +49 3475 7255-109  
E-Mail: [infoservice@driescher-eisleben.de](mailto:infoservice@driescher-eisleben.de)  
[www.driescher.de](http://www.driescher.de)

**DRIESCHER**  
Moosburg • Eisleben

