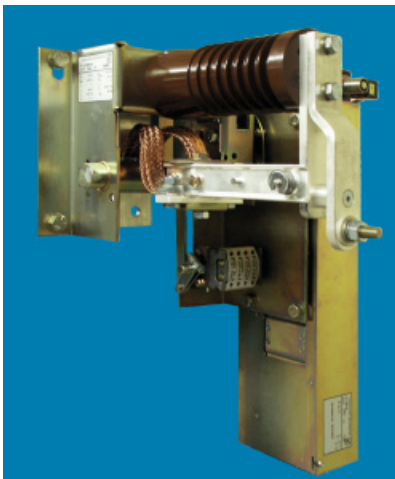




Earthing switches for Railway application

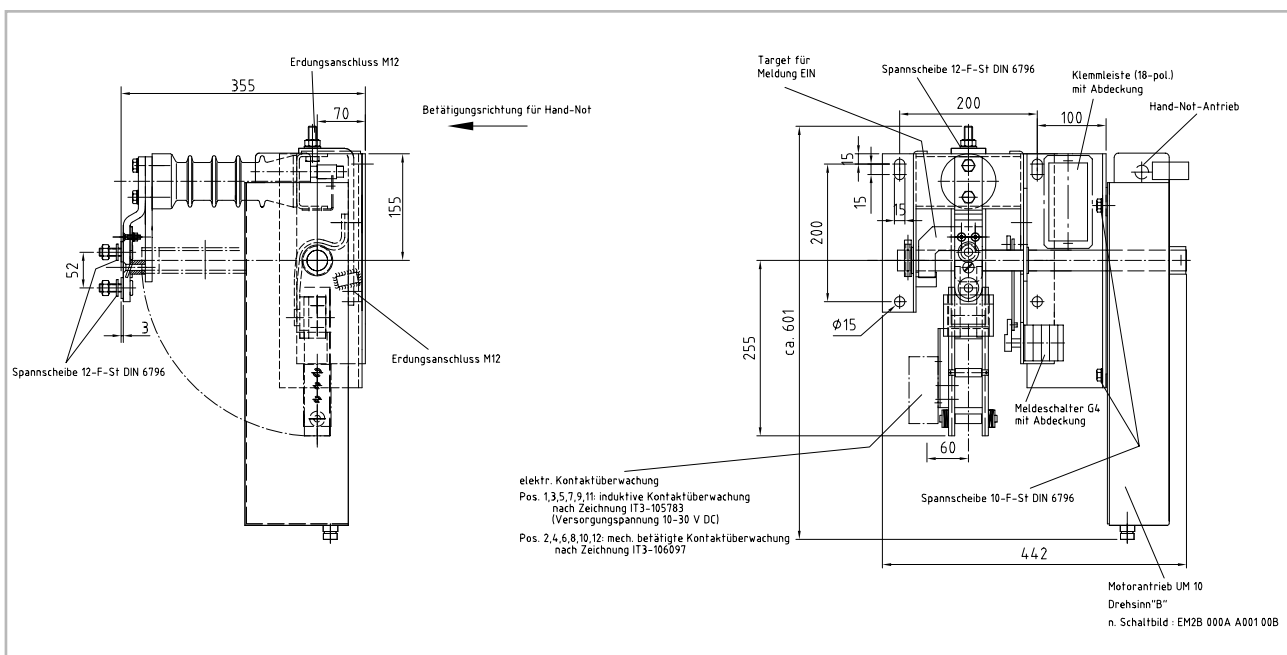
DRIESCHER - Single-pole **Indoor** Earthing switch for **AC** application

Single-pole Indoor Earthing switch AC



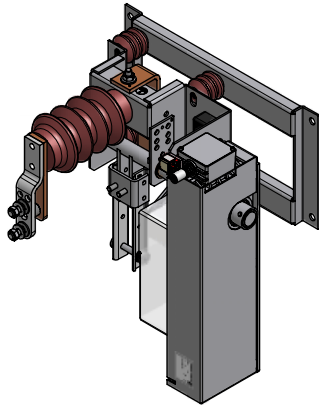
Type		ES 15-31,5-1B	ES 15-35-1B
Nominal voltage	U_n	15 kV	15 kV
Rated insulation level	U_{Nm}	17,5 kV	17,5 kV
Rated lightning impulse withstand voltage	U_{Ni}	125 kV	125 kV
Rated short time power-frequency test voltage level	U_a	50 kV	50 kV
Rated frequency	f_r	16,7 / 50 Hz	16,7 / 50 Hz
Rated short-time withstand current	I_k	31,5 kA	40 kA
Rated duration of short-circuit current	t_k	1 s	0,5 s
Rated peak withstand current	I_p	80 kA	-
Rated short-circuit making current	I_{ma}	80 kA	80 kA
Mechanical endurance (Operating cycles)		1.000	20.000
Drawing No.		IT3-097013	IT3-106142

- with motordrive
- 4-pole signalling contact



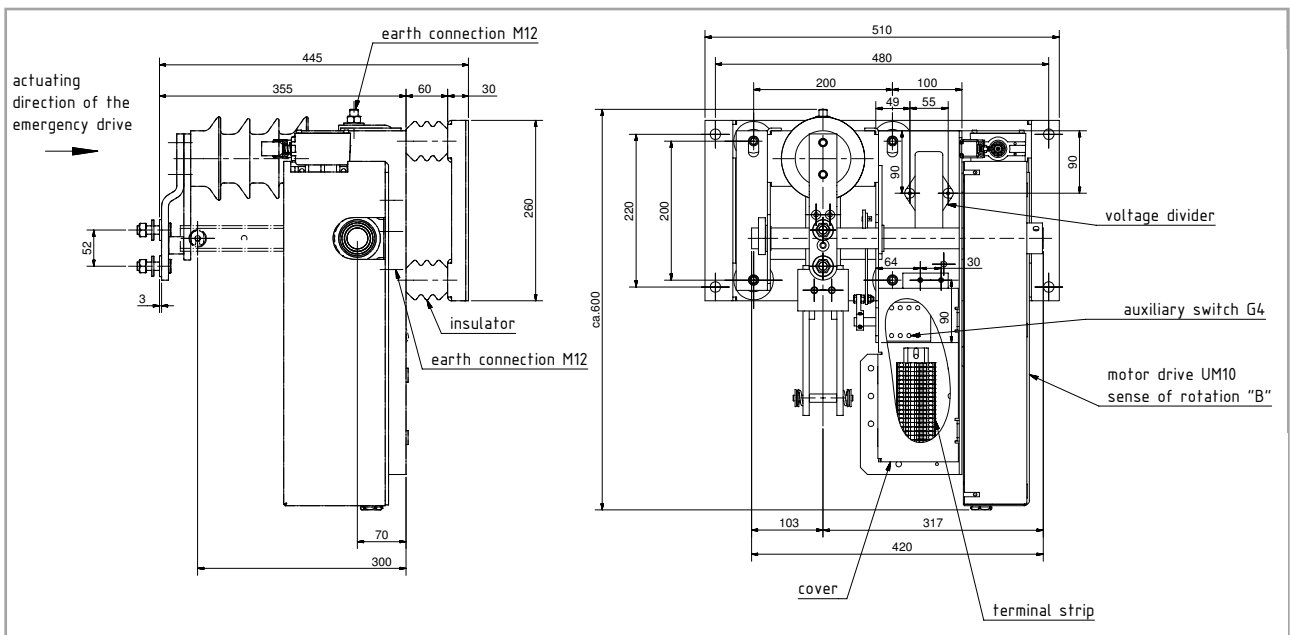
DRIESCHER - Single-pole Indoor Earthing switch for DC application

Single-pole Indoor Earthing switch DC



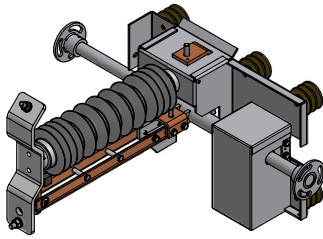
Type	ES 1,5-35-1B	
Nominal voltage	U_n	1,5 kV
Rated insulation level	U_{Nm}	3 kV
Rated lightning impulse withstand voltage	U_{Ni}	75 kV
Rated short time power-frequency test level	U_a	28 kV
Rated short-time withstand current	I_{NCW}	35 kA
Rated duration of short-circuit current	t_k	0,25 s
Rated short-circuit making current	I_{ma}	50 kA
Mechanical endurance (Operating cycles)	10.000	
Drawing No.	IT3-112495	

- with motordrive
- 4-pole signalling contact



DRIESCHER - Outdoor Earthing switches for AC application

Outdoor Earthing switches AC



Pic. FES 25-16-1B

Type	FES 25-16-1B	FES 25-16-2B	FES 25-16-3B
Nominal voltage	U_n 25 kV	25 kV	25 kV
Rated insulation level	U_{Nm} 27,5 kV	27,5 kV	27,5 kV
Rated lightning impulse withstand voltage	U_{Ni} 250 kV	250 kV	250 kV
Rated short power-frequency test voltage level	U_a 95 kV	95 kV	95 kV
Rated frequency	f_r 50 Hz	50 Hz	50 Hz
Rated short-time withstand current	I_k 16 kA	16 kA	16 kA
Rated duration of short-circuit current	t_k 1 s	1 s	1 s
Rated peak withstand current	I_p 40 kA	40 kA	40 kA
Rated short-circuit making current	I_{ma} 40 kA	40 kA	40 kA
Mechanical endurance (Operating cycles)	2.000	2.000	2.000
Drawing No.	FT3-108915	FT3-109600	FT3-108915

- with auxiliary switch
- with motor drive UM 90

